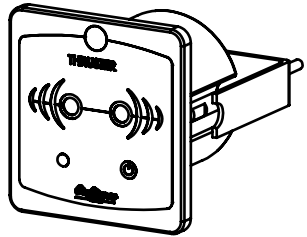
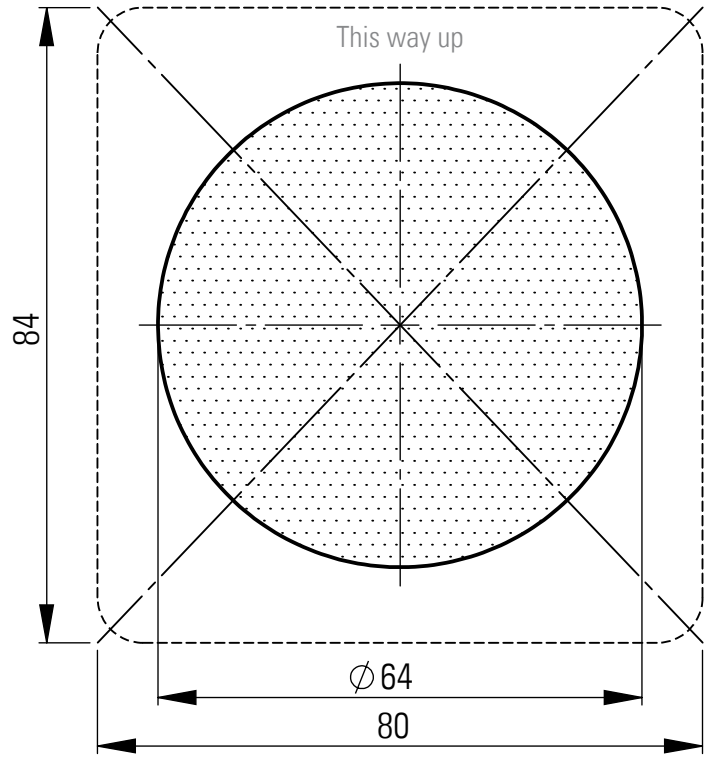
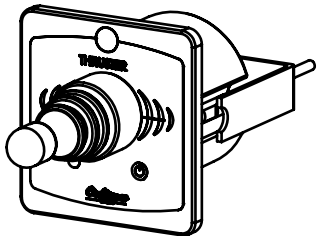


Drill pattern for:
ALFA 10T - ALFA 20T/20H

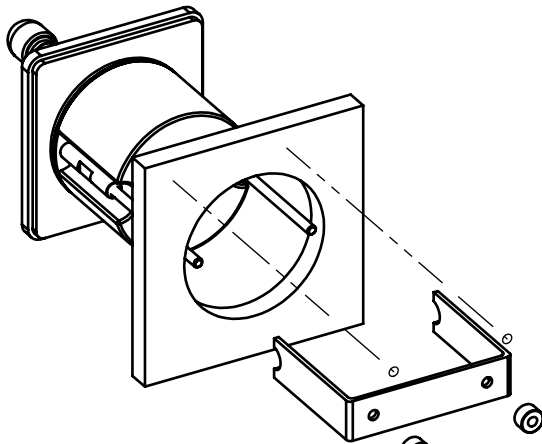
Craftsman
MARINE



ALFA 10T

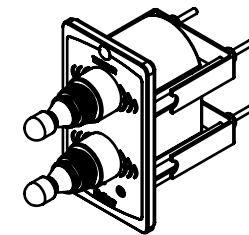
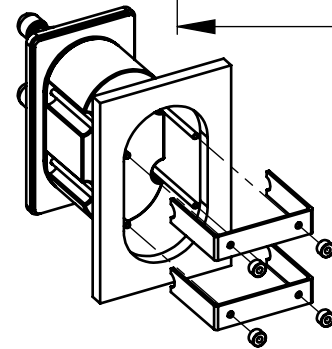
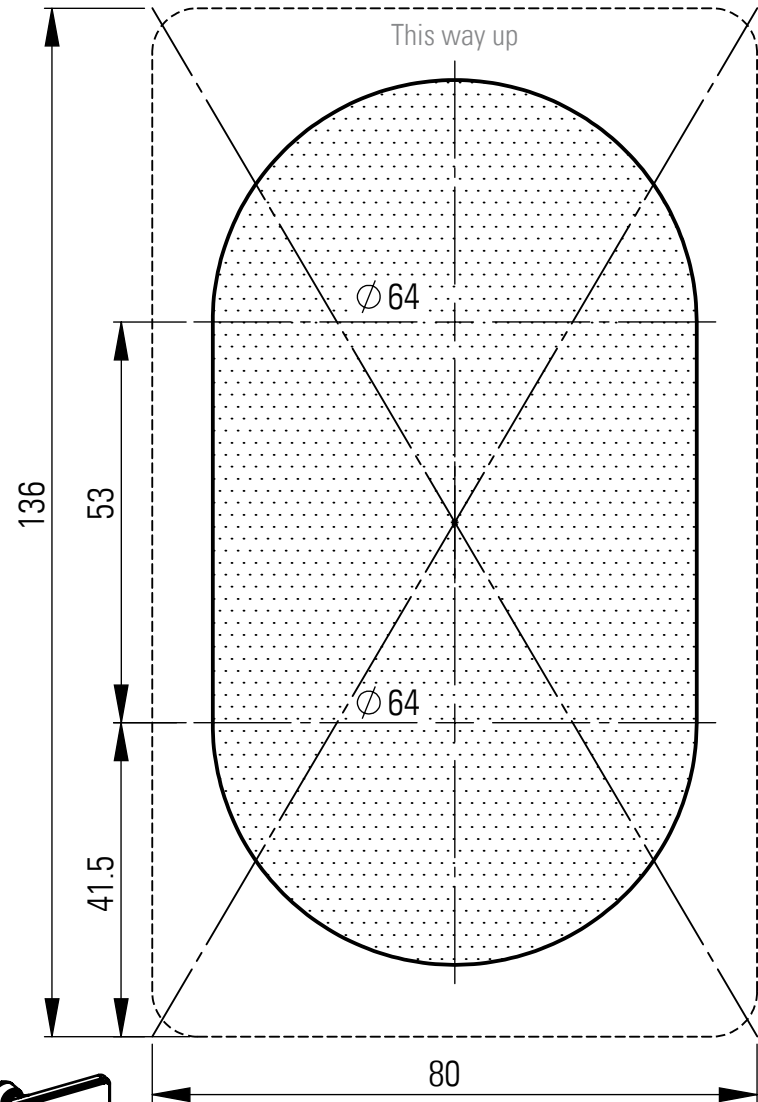


ALFA 20T/20H



Drill pattern for:
ALFA 30T/30H

Craftsman
MARINE



ALFA 30T/30H