

---

**Engine Installation Drawings**


---

<u>Engine Model / Engine View</u>	<u>Drawing Number</u>	<u>Letter State</u>	<u>Date Line</u>	<u>Page</u>	<u>Pub. Date</u>
4045DF120 / 4045DF150 (with Rotary Fuel Pump).....	RE63602	M	07/2001		
List of Options Shown.....				4045DF - 1	07/2001
List of Customer Installation/Service Points .....				4045DF - 2	07/2001
Right-side View.....				4045DF - 3	07/2001
Rear View .....				4045DF - 4	07/2001
Left-side View .....				4045DF - 5	07/2001
Front View.....				4045DF - 6	07/2001
Top View .....				4045DF - 7	07/2001
Isometric (3-dimensional) Views.....				4045DF - 8	07/2001

RE63602		REVISED	RG40	1/8	REV	M	1		
ZONE	SYM	REVISION			DECISION	DATE	APPROVED		
					505501RE	20010725			

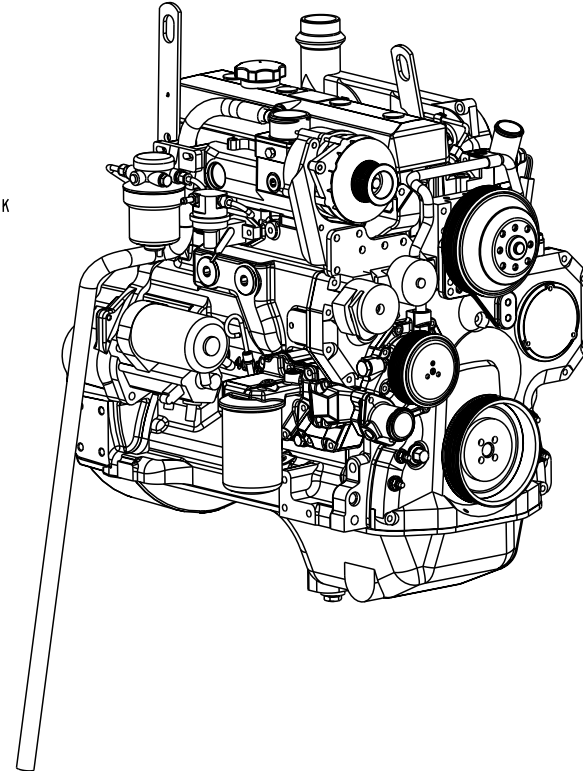
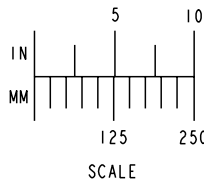
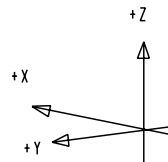
OPTIONS SHOWN	
OPTION	GROUP NAME
1107_RE60032	ROCKER ARM COVER - REAR FILL
1299_RE57761	NO OIL FILL
1302_RE59693	CRANKSHAFT PULLEY - 168mm DIA
1401_RE59373	SAE#4 FLYWHEEL HOUSING
1507_RE59287	FLYWHEEL 10in OC CLUTCH
16GB_RE502944	FUEL INJECTION PUMP - DB2
1705_RE59416	AIR INLET
1901_RE59550	OIL PAN
2002_RE57779	WATER PUMP PULLEY 112mm DIA.
2101_RE59534	THERMOSTAT COVER
2301_RE59712	FAN DRIVE
2599_RE59725	NO FAN
2699F_RE59760	NO BLOCK HEATER
2807_RE59268	EXHAUST MANIFOLD
2904B_RE69291	VENT TUBE W/ 90 DEG. ELBOW
3007_RE59604	STARTING MOTOR
3109_RE60151	ALTERNATOR - 12V, 65 AMP
3516_RE60138	FUEL FILTER
3602_RE58179	FRONT PLATE
3702_RE68344	FUEL TRANSFER PUMP
4002_RE58181	STANDARD RHS DIPSTICK
4399_RE59828	NO STARTING AID
4402_RE58183	TIMING GEAR COVER, AUX DRIVE
4601_RE57617	BLOCK, STANDARD WITH BALANCERS
4701_RE53341	CRANKSHAFT
5102_RE59432	CYLINDER HEAD, HIGH SWIRL
5204_RE59264	AUXILIARY DRIVE COVER
5701_RE59313	WATER PUMP INLET
5904_RE59795	OIL COOLER - 3 PLATE
6202_RE59734	ALTERNATOR MOUNTING
6698_RE500556	TEMPERATURE SENSOR SWITCH
6799_RE60159	NO TACHOMETER SENSOR
6901_RE59440	SERIAL NUMBER PLATE
8608_RE60117	FAN PULLEY, 168 mm
8701_RE59701	TENSIONER
8803_RE59831	OIL FILTER
9801C_RE53353	ENGINE HANGER STRAP

\*16MR\_RE504661 INJECTION PUMP USED ON 4045DF120

FOR CENTER-OF-GRAVITY OR WEIGHT INFORMATION, REFER TO THE ENGINE PERFORMANCE CURVE(S).

FAN HEIGHT mm/in	
338.0	13.31

ORIGIN - CENTERLINE OF CRANKSHAFT AT REAR FACE OF BLOCK



MATERIAL SEE DETAILS	THIS DRAWING AND THE INFORMATION HEREON ARE OUR PROPERTY AND MAY BE USED BY OTHERS ONLY AS AUTHORIZED BY US. UNPUBLISHED-ALL RIGHTS RESERVED UNDER THE COPYRIGHT LAWS ©		DWN	JAR 20010725	DEERE & COMPANY MOLINE, ILLINOIS 61265				
	REFERENCES:		ENGR	KTB	LOCATION/ASSEMBLY DRAWING				
	JDS-G113 DRAFTING		CHR		4.5L (4045DF120 & 4045DF150) OEM				
	MODEL RL	MODEL REV	APVD	DESIGN CONTROL	SIZE	FSCM NO.	RE63602	VERSION	REV
MFG. REVIEW	12.1		RG	C			RG40	M	
DRW RL	DRW REV	ROTARY PUMP	TERM CODE	SCALE	1:5	METRIC			
EXP. RELEASE	12.2	4340 07						1/8	

SOURCING

OPEN CLOSED

ROTARY PUMP

TERM CODE

4340 07

SCALE

1:5

METRIC

VERSION

RG40

REV

M

Pro/ENGINEER

4

3

2

1

RE63602 REV. RG40 2/8 M

ZONE	SYM	REVISION	DECISION	DATE	APPROVED
			505501RE	20010725	

CUSTOMER INSTALLATION POINTS

ITEM	SHEET	NAME	REMARKS
A11	7	AIR - INLET	Ø63.5 [2.5] X 30 ENGAGEMENT
A12	3	AIR - STARTING AID PORT	7/8-14 UNF-2B
A13	3	AIR PRESSURE PORT PLUGGED	1/8-27 NPS
A14	3	ETHER - STARTING AID PORT	M10 X 1
BR1	3	BRACKET - REAR LIFT STRAP	
BR2	5	BRACKET - FRONT LIFT STRAP	
CO1	4	COOLANT - HEATER SUPPLY	M18 X 1.50
CO2	3	COOLANT - HEATER RETURN	M18 X 1.50 ∇14.5 O-RING PORT
CO3	3	COOLANT - BLOCK HEATER	1 5/8-12 UN-2B
CO4	6	COOLANT - INLET	51 [2] O.D. 23 ENGAGEMENT
CO5	6	COOLANT - OUTLET	44 [1.73] O.D. 39 ENGAGEMENT
CO6	7	COOLANT - TEMP. WARNING SWITCH	1/2-14 NPS
CO7	5	COOLANT - TEMPERATURE SENSOR	M14 X 1.50 ∇11.5 MIN
CO8	3	COOLANT - HEATER/OUTLET OPTIONAL	1 5/8-12 UN-2B
DR1	4	DRIVE - AUXILLARY	SEE OPTION DRAWING
EL1	5	FUEL INJECTION PUMP	SEE OPTION DRAWING
EL2	6	ALTERNATOR	SEE OPTION DRAWING
EL3	3	STARTER MOTOR	SEE OPTION DRAWING
EL4	7	MAG PICKUP (30 PULSE/ENG. REV.)	M20 X 1.50-6H
EL5	3	STARTER - BATTERY TERMINAL	M10 X 1.50
EX1	5	EXHAUST OUTLET	SEE DETAIL ON SHEET 5
FL1	3	FUEL - INLET	9.5 O.D. BEADED END
FL2	7	FUEL - LEAKOFF REAR	6.35 [1.25] O.D.
FL3	7	FUEL - LEAKOFF FRONT	6.35 [1.25] O.D.
MO1	6	MOUNTING HOLES - ENGINE	4X M16 X 2.00-6H ∇31.5
MO2	6	MOUNTING HOLES - FRONT	2X Ø15.926 ± 0.025 [1.627±.001]
MO3	3,5	MOUNTING HOLES - ENGINE	6X M12 X 1.75-6H ∇22
MO4	6	MOUNTING HOLES - FAN	4X M10 X 1.50-6H ∇23 Ø73 [2.87] B.C.
MO5	4	MOUNTING HOLES - ACCESSORY	2X M10 X 1.50-6H ∇18.5
MO6	5	MOUNTING HOLES - SPEED CTRL BRKT	2X M10 X 1.50-6H ∇18.5
MO7	3	MOUNTING HOLES - ACCESSORY	2X M8 X 1.25-6H ∇14 (BLOCK)
MO8	5	MOUNTING HOLES - ACCESSORY	M14 X 2.00-6H ∇23
MO9	4	MOUNTING HOLES - FLYWHEEL HSG	12X M10 X 1.50-6H Ø381 [15] B.C.
MO10	3,5	MOUNTING HOLES - OIL FILL	4X M8 X 1.25-6H ∇15 (BLOCK)
MO11	3	MOUNTING HOLES - FW HSG MOUNTS	8X M12 X 1.75-6H ∇22
MO12	5	MOUNTING HOLE - ACCESSORY	M10 X 1.50-6H ∇18.5
MO13	5	MOUNTING HOLES - ACCESSORY	2X M10 X 1.50-6H ∇18.5
MO14	3	MOUNTING HOLE - ACCESSORY	M12 X 1.50-6H ∇22

CUSTOMER INSTALLATION POINTS

ITEM	SHEET	NAME	REMARKS
MO15	7	MOUNTING HOLES - ACCESSORY	2X M10 X 1.50-6H ∇18.5
MO16	7	MOUNTING HOLE - ACCESSORY	M12 X 1.75-6H ∇22
MO17	7	MOUNTING HOLES - ACCESSORY	3X M10 X 1.50-6H ∇18.5
MO18	7	MOUNTING HOLE - ACCESSORY	M12 X 1.75-6H ∇22
MO19	6	MOUNTING HOLES - FAN	4X M8 X 1.25-6H ∇23 Ø63.5 [2.5] B.C.
MO20	4	MOUNTING HOLES - FLYWHEEL	8X 3/8-16 UNC-2B ∇17.5 Ø295.28 [11.63] B.C.
MO21	3	MOUNTING HOLES - ACCESSORY	3X M10 X 1.50-6H ∇18.5
MO22	7	MOUNTING HOLE - ACCESSORY	M12 X 1.75-6H ∇25
MO23	5	MOUNTING HOLE - ACCESSORY	M14 X 2.00-6H ∇23
OP1	5	OIL PRESSURE PORT	4X 1/8-27 NPTF
OP2	5	OIL - TURBO DRAIN	1/2-14 NPT
VE1	3	VENT TUBE	19.05 ID HOSE

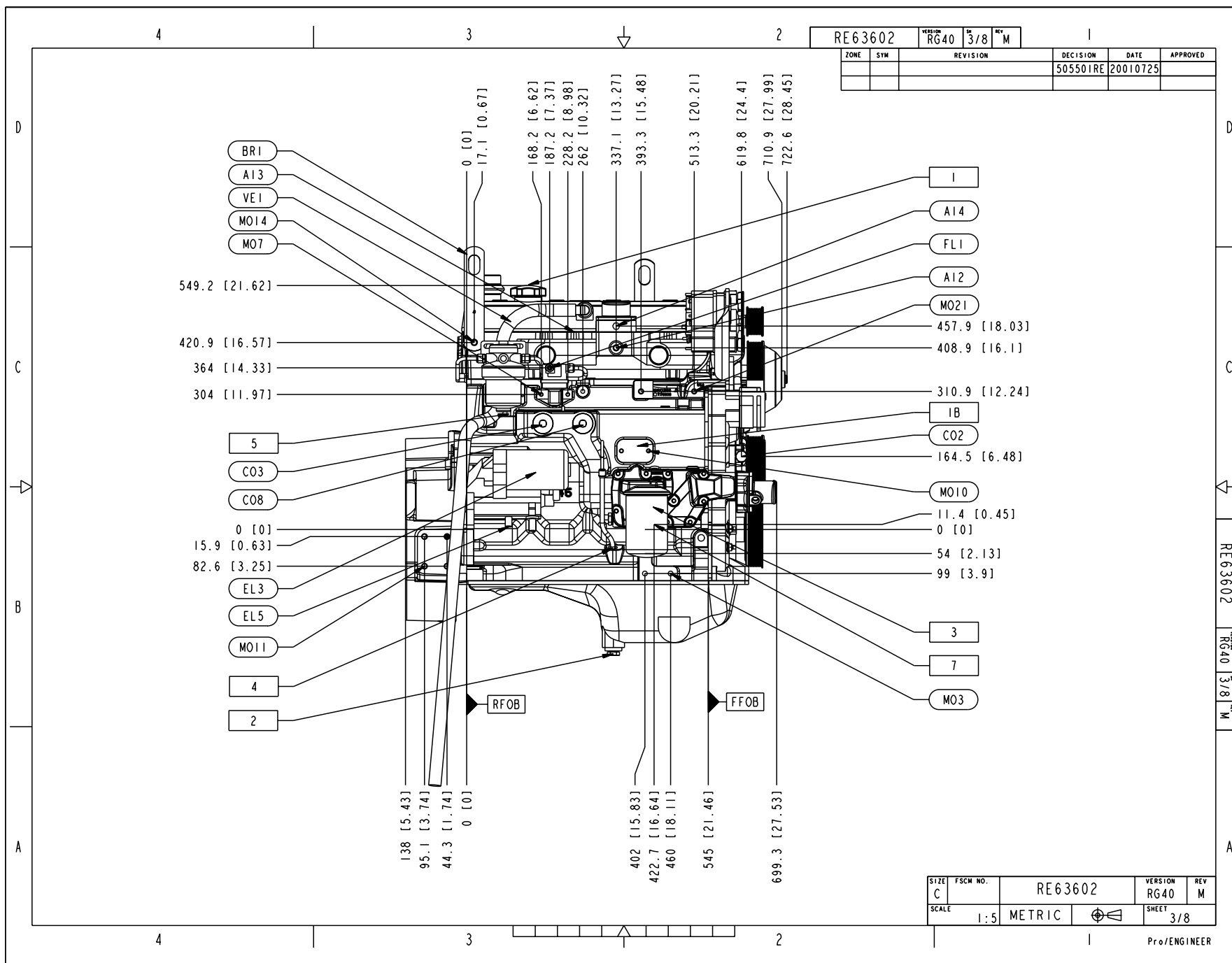
CUSTOMER SERVICE POINTS

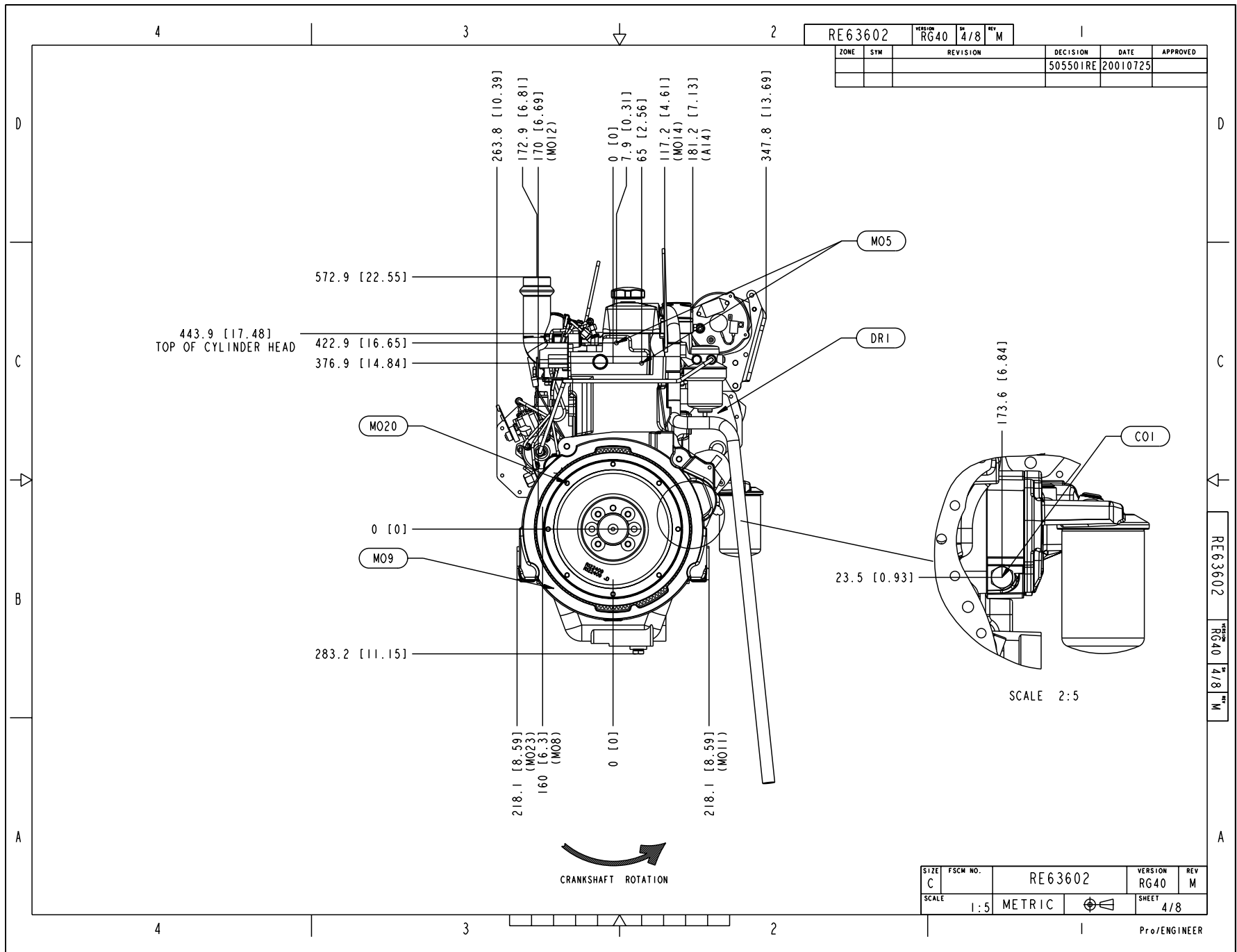
ITEM	SHEET	NAME	REMARKS
1	3	OIL FILL - HEAD COVER	20MM REMOVAL CLEARANCE
1A	5	OIL FILL - LEFT SIDE	20MM REMOVAL CLEARANCE
1B	3	OIL FILL - RIGHT SIDE	20MM REMOVAL CLEARANCE
2	3	OIL DRAIN - PAN	M18 [1.71] O-RING PORT
3	3	OIL FILTER	25MM REMOVAL CLEARANCE
4	3	DIPSTICK - RIGHT SIDE	275MM REMOVAL CLEARANCE
4A	5	DIPSTICK - LEFT SIDE	275MM REMOVAL CLEARANCE
5	3	FUEL FILTER DRAIN	5MM REMOVAL CLEARANCE
6	5	COOLANT DRAIN	1/4-18 NPTF; 10MM REMOVAL CLEARANCE
7	3	OIL COOLER WATER DRAIN	M12 X 1.5; 25MM REMOVAL CLEARANCE

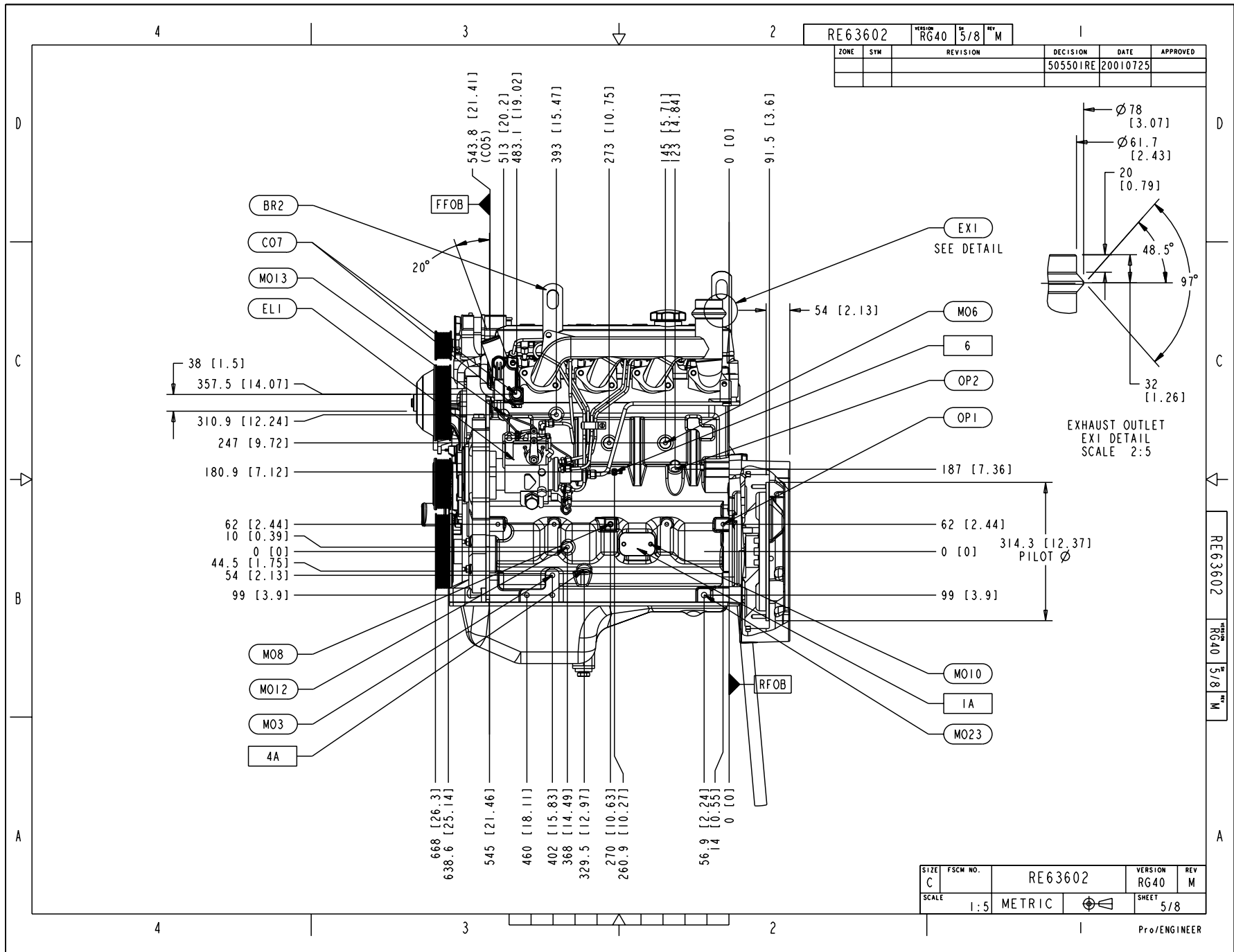
RE63602 REV. RG40 2/8 M

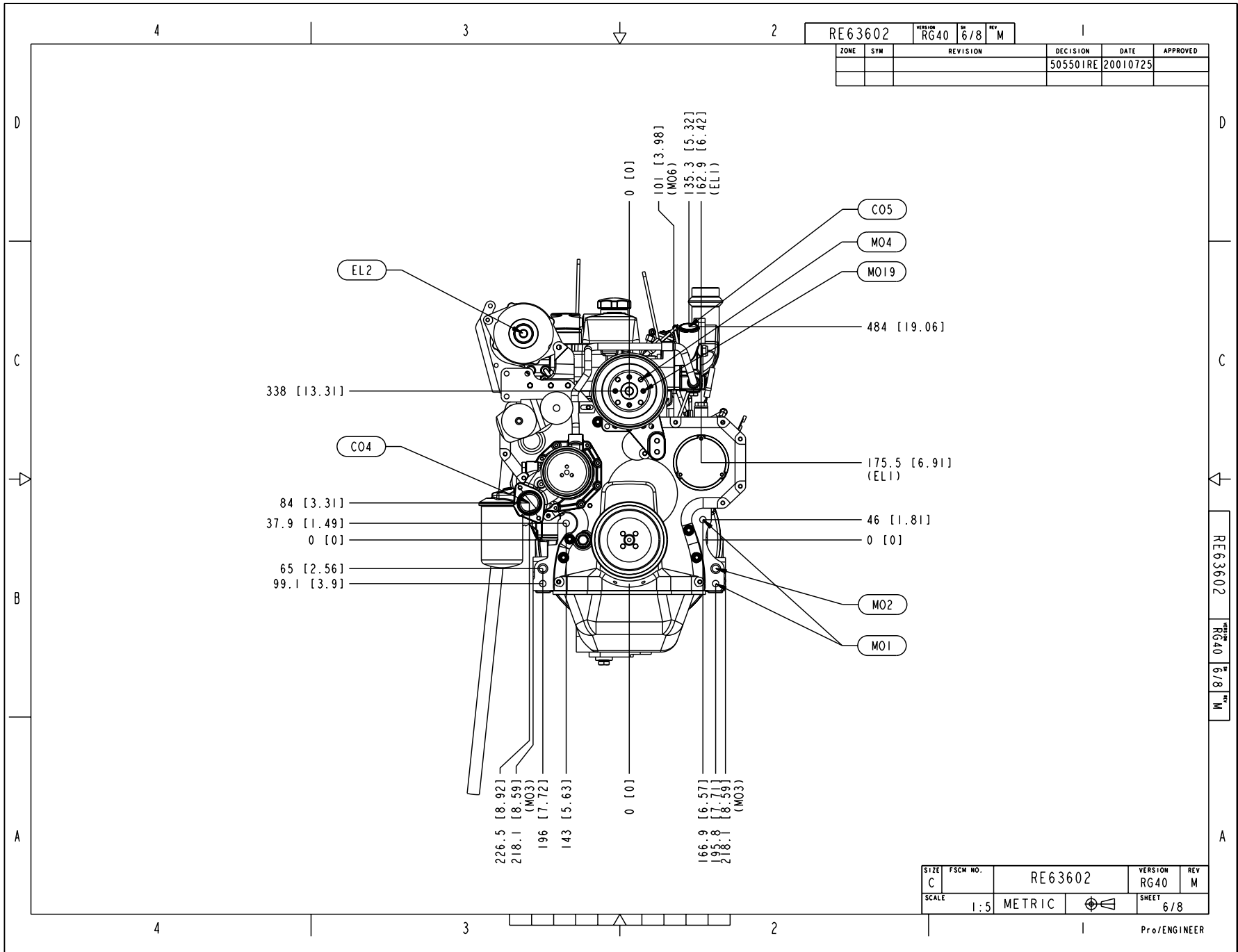
SIZE C	FSCM NO. RE63602	VERSION RG40	REV M
SCALE 1:5	METRIC		SHEET 2/8

Pro/ENGINEER









# POWERTECH 4.5 L ENGINE

# 4045DF150 (w/ Rotary Pump)

